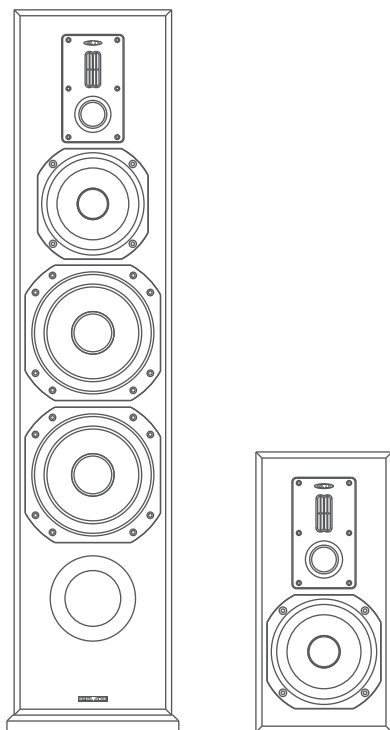


DYNAVOICE

EXPERIENCE THE NORDIC SOUND

User manual



Model: DF-8II & DM-6II



Experience the Nordic Sound

In the heart of Sweden, nestled beside Lake Hjälmarén, lies Örebro. Known for its vibrant live music scene, rich natural surroundings, and beautiful city center, it is a place where the majestic Örebro Castle overlooks a lively array of restaurants and a buzzing nightlife. This is where we design and engineer Dynavoice.

The Dynavoice logo is a seal of quality, ensuring that what you hold in your hands was crafted from a passion for music and sound, with you – the listener – at the center.

Through our diverse range of products, you will experience The Nordic Sound: a warm and powerful sound that is also detailed and natural, a hallmark of Dynavoice over the years.

We want you to uncover new details in your favorite songs and explore new dimensions in your favorite movies with a Dynavoice multichannel sound system. We love what we do, and we want you to feel our passion and dedication through our speakers.

Thank you for choosing Dynavoice. Enjoy The Nordic Sound.



Table of content

- Important safety information..... 3**
- Unpacking..... 4**
- Getting started..... 4**
- Positioning your speakers..... 5**
 - Hi-Fi setup (stereo)..... 5
- Connecting your speakers..... 6**
 - Single-wiring..... 6
 - Bi-wiring..... 6-7
 - Bi-amping..... 7
- X-change function..... 8**
- Technical specifications..... 9**
 - Dynavoice Definition DM-6II..... 9
 - Dynavoice Definition DF-8II..... 9

Important safety information

Please read this information thoroughly in its entirety, heed all warnings, follow all instructions and keep this manual for further use.



This symbol indicates that there are important operating and maintenance instructions in the manual that is included with the product.



In case the product involves heavy lifting - make sure to have assistance to move it safely.

This product shall not be used near water or in any moist environments. Do not block any openings or ventilations. Clean only with a dry cloth.

Do not install near any heat sources such as radiators, stoves, or other apparatus (including amplifiers) that produces heat.

Protect the speaker cable from being walked on or pinched, particularly at plugs, convenience receptacles, and the point where they exit from the apparatus. Be extra careful when using acoustic feet and spikes.

All Dynavoice products are designed and manufactured to meet the highest quality standard. Refer all servicing to qualified service personnel. Servicing is required when the product has been damaged in any way, such as if the drivers or cabinets are damaged, liquid has been spilled or objects have fallen into the speakers, the speaker has been exposed to rain or moisture, does not operate normally, or has been dropped.

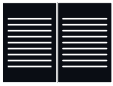
Unpacking



When you unpack your new Dynavoice speaker, please do it with care. In case the product involves heavy lifting or if it is too big for one person to handle – make sure to have assistance, we do not want you to break the product or yourself.

When life happens and you move to a new home, you will want to take your Dynavoice products with you. The easiest way to do this is in the original packaging so if possible - keep the box and the packing material.

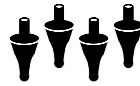
The box contains:



Manual



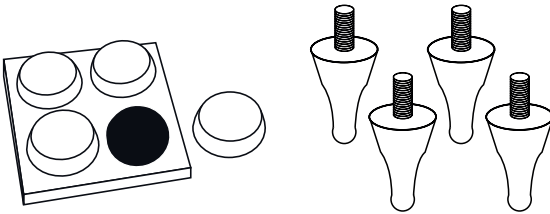
Acoustic feet
(Bookshelf models)



Acoustic spikes
(Floor standing models)

Getting started

Use the included M8 spikes (floor standing model only, the bookshelf model have rubber damping feet included) or give the speaker a floating look by using soft damping feet. Any type of feet improves the sound and prevents it to spread through the floor so that you can stay friends with your neighbours, and get a more fulfilling audio experience



Your speaker has been tested at our factory before being sealed up inside the packaging, we do however recommend you to go easy in the beginning. The initial break-in period, to soften up the speakers, is between 20-30 hours, and even though loud music is fun - be nice to your new Dynavoice product and treat it with care.

Positioning your speakers

Depending on the type of room, what your listening preferences are and what setup you have, the final positioning of your speakers may vary. Most likely you will have to try out a few different positions before you find the perfect sweet spot. This means that we cannot guarantee that the example that follows will be suitable for you, instead consider these to be standard recommendations and starting points.

The best audio experience is usually at a listening position in the middle, between the speakers and at least at the same distance from the front speakers as it is between them. You also need to consider the angling of the speakers as displayed in the examples below.

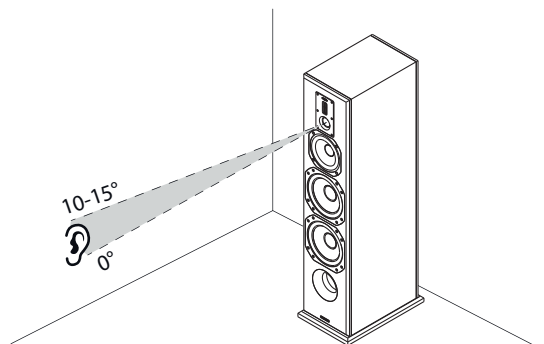
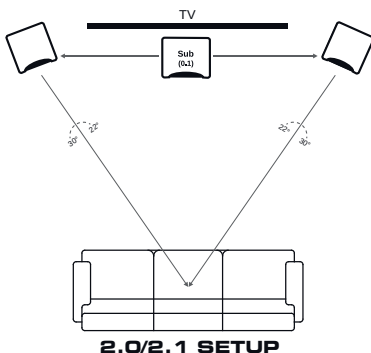
All Dynavoice Definition models are equipped with a bass port on the back of the speaker. Make sure to leave at least 10-30cm of space behind the speakers so that the air flow is uninterrupted.

Hi-Fi setup (stereo)

Front speakers - Place your front speakers 2-4 meters apart, about 0,5-1 meter away from the rear and side wall, try to make sure that both speakers have the same distances from surrounding walls. The tweeters should be at the same height as your ears (0-15 degrees angle) when you are comfortably sitting in your listening position, this is important so take your time measuring the different heights. The angle of the speakers should be 22-30 degrees towards you.

When listening, if you feel that the music lacks vocals, or if you hear one side more than the other, try moving the speakers further apart or closer together. You can also try moving them closer to you or further away from you. If the bass feels boomy or in any way off, make sure that the reflex port on the back of the speakers is not too close to the wall. Some acoustic disturbance can be the result of your surroundings. If you feel that the sound is “aggressive”, try using what you have to help absorb unwanted resonance, do the opposite if you feel that the sound is muffled.

If a subwoofer is added - Place the subwoofer in the middle, centered between your speakers with the front facing your listening position. You can use this as a start off point and move it sideways to try some alternatives (consult your subwoofer manual to learn how to place it).



Connecting your speakers

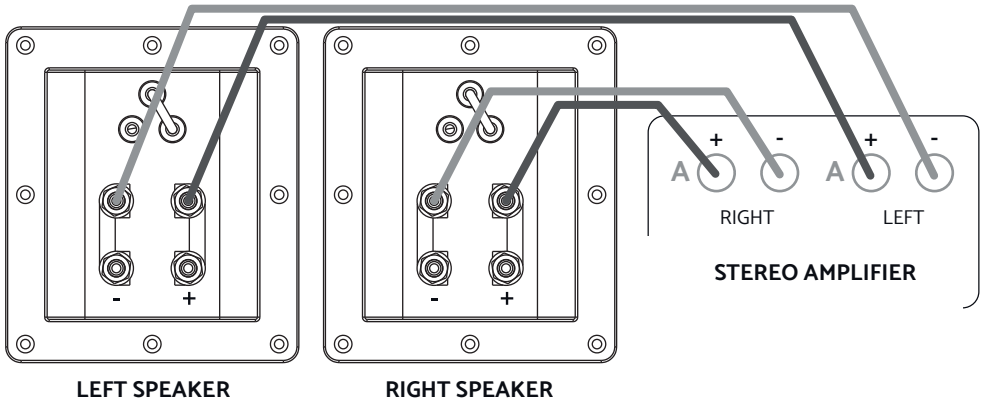


To get the best experience possible from your new Dynavoice speakers, we recommend you to use high quality cables and plugs. **Always make sure that your amplifier is turned off when you connect the speakers to your system.** Disregarding this advice may permanently damage your speakers.

There are three different ways to connect your speakers to your amplifier/amplifiers. These different examples are typical, standard connections with standard electronics. Please consult the respective manual of your amplifier for more information.

Single-wiring

The standard way to connect your speakers is following the positive (+) and negative (-) markings on the speakers to your amplifier creating a single-wiring connection.

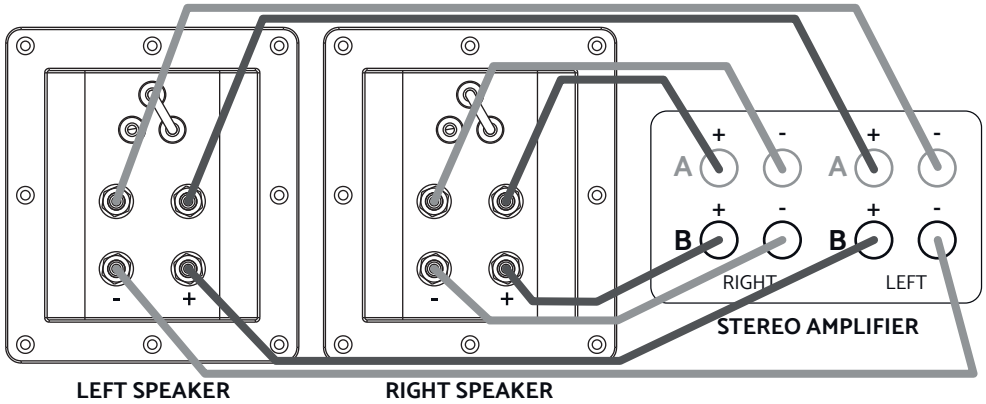


Bi-Wiring

A bi-wiring connection lets you connect the low frequency speakers and your high frequency speakers separately. This type of connection allows the different speakers to focus more on their dedicated frequency range. On the floor standing model the midrange and tweeters are active through the first terminal pair and the woofers are active through the second terminal pair. On the bookshelf model the tweeters are active on the first terminal pair, and the woofer on the second pair.

It is important to first remove the jumpers that binds the terminals together. (Schematics are shown on the following page)

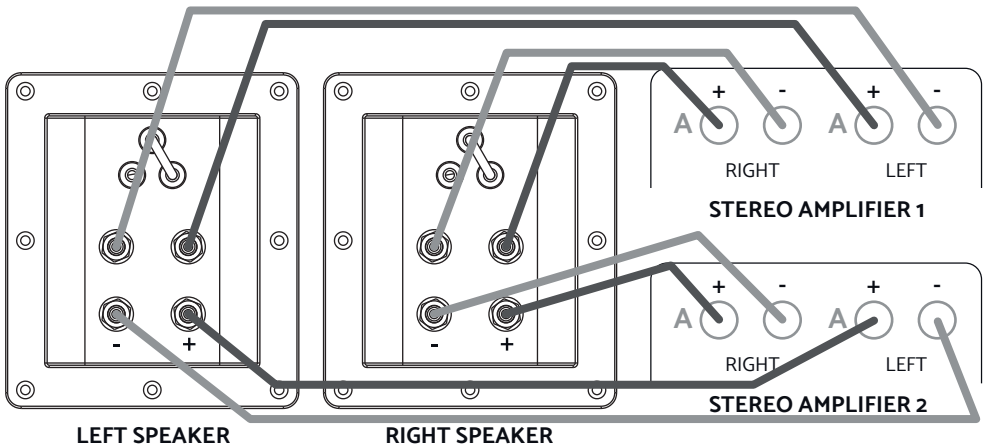
Bi-Wiring



Bi-Amping

If you wish to use two separate amplifiers, one for the high frequencies and one for the low frequencies you will make a bi-amp connection. On the floor standing model the midrange and tweeters are active through the first terminal pair and the woofers are active through the second terminal pair. On the bookshelf model the tweeters are active on the first terminal pair, and the woofer on the second pair. It is important that you consult the manual of your amplifier to make sure that it has a bi-amping function.

It is important to first remove the jumpers that binds the terminals together.

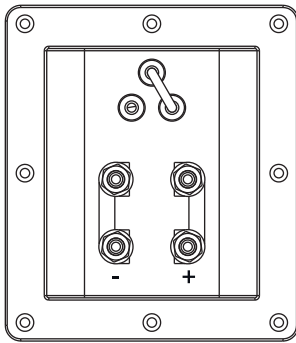


X-change function

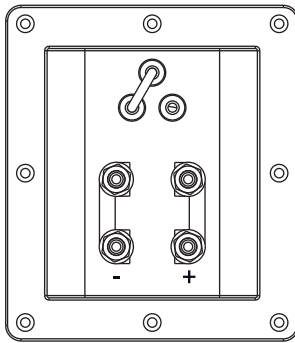
Dynavoice X-Change function is a feature found in the Definition speakers which allows you to adjust the sound to your own preferences, without having to adjust the connected amplifier. Adjusting the amplifier can result in added level of distortion in the sound. That's why it's better to adjust the X-change terminal instead.

X-change affects the level of the silk dome tweeter that handles the frequencies between approximately 3000 Hz and 13000 Hz. Next to the X-change connectors there is a label that shows how the sound is affected by the adjustment. Following levels can be selected: -2dB, 0dB, +2dB, +4dB. Insert the jumper between the holes that have the value that you desire.

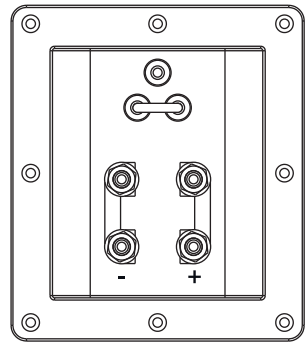
The X-Change function is designed to be very user-friendly, allowing the listener to easily switch between settings or configurations without needing complex tools or professional installation. Let a friend help you to swap the jumpers, while you sit in the listening position and listen to your favourite music. Only you can decide what sounds best to your ears.



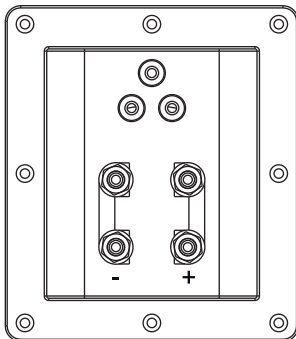
STANDARD (0dB)
Top-Right placement



INCREASE (+2dB)
Top-Left placement



INCREASE (+4dB)
Left-Right placement



DECREASE (-2dB)
Remove the jumper

Technical specifications

Dynavoice Definition DM-6II

Type: Three-way bass reflex bookshelf speaker

Speaker Drivers:

Woofer: 1pc Ø142mm Kevlar cone

Tweeter: 1pc Ø36mm Silk dome

Tweeter: 1pc 18x50mm Ribbon

Sensitivity (1w/1m): 92dB

Power handling: 85W (RMS)

Recommended amplifier power: 25-120W (RMS)

Nominal impedance: 6 Ohm

Minimum impedance: 3.5 Ohm

Frequency Response: 3500 - 32000 Hz

Crossover Frequency: 3000 / 13000 Hz

Dimensions HxWxD: 420x200x330mm

Net weight (each): 9.1 kg

Dynavoice Definition DF-8II

Type: Four-way bass reflex floorstanding speaker

Speaker Drivers:

Woofer: 2pcs Ø178mm Kevlar cone

Midrange: 1pc Ø142mm Kevlar cone

Tweeter: 1pc Ø36mm Silk dome

Tweeter: 1pc 18x50mm Ribbon

Sensitivity (1w/1m): 94dB

Power handling: 200W (RMS)

Recommended amplifier power: 40-250W (RMS)

Nominal impedance: 6 Ohm

Minimum impedance: 3.4 Ohm

Frequency Response: 23 - 32000 Hz

Crossover Frequency: 370 / 3200 / 12800 Hz

Dimensions HxWxD: 1105x240x380mm

Net weight (each): 28.5 kg



For further information and contact, please visit our website dynavoice.se, or our Facebook page facebook.com/Dynavoice.

Thank you for choosing Dynavoice!

This product is covered by warranty, depending on the conditions in the country where it's sold. If the speakers are returned for service, please include the original dated receipt (or a copy) with the product. Make sure that the speakers are packaged properly and secured, preferably in its original packaging.



The crossed-out wheelee bin symbol means that the product, literature and packaging included must be taken to separate collection at the end of their working life. Don't dispose of these products as unsorted municipal waste: take them for recycling. For info on your nearest recycling point, check with your local waste authority.



This product has been granted with the CE certification mark to show that the product follows the health, safety, and environmental protection standards for products sold within the European Economic Area (EEA).



Dynavoice products comply with the relevant provisions of the RoHS Directive for the European Union. In common with all Electrical and Electronic Equipment (EEE) the product shouldn't be disposed of as household waste. Alternative arrangements may apply in other jurisdictions.

Dynavoice and Experience the Nordic Sound are registered trademarks by Winn Scandinavia AB and is protected by relevant laws and jurisdictions such as Copyright and Trademark laws.

Winn Scandinavia AB | Idrottsvägen 37, 70232 Örebro, Sweden | www.winnscandinavia.com

Winn Scandinavia AB reserves for possible typos, factual or numeric errors that may have been printed on any products, package designs, user manuals and/or other included accessories.

